

**REVIEWED**  
By Kenneth M. Justice, P.E. at 1:43 pm, Mar 31, 2023

NOTE: SITE PLAN PREPARED BY OTHERS  
AND MODIFIED FOR THIS SUBMITTAL TO  
SHOW LOCATION OF STRUXURE



**STRUXURE**

**Distinctive Outdoor Structures**  
BE UNIQUE. BE DISTINCTIVE

**DOS**

**NUNEZ RESIDENCE**  
2009 WOODLAND DRIVE  
MORRISVILLE, PA 19067

\*\*\* COPYRIGHT \*\*\*

THIS DRAWING IS THE SOLE PROPERTY OF DISTINCTIVE OUTDOOR STRUCTURES, LLC AND IS NOT TO BE DUPLICATED OR COPIED IN WHOLE OR IN ANY PART THEREOF.

ITS USE IS LIMITED TO THE PROJECT IT REPRESENTS.

OTHER USE IS STRICTLY PROHIBITED.

REV. No.	REVISION ISSUE	REV. DATE

FIRM NAME & ADDRESS:  
**DISTINCTIVE OUTDOOR STRUCTURES**  
 619 Bethlehem Pike  
 Montgomeryville, PA 18936  
 Telephone: (215) 699-5754  
 E-mail: Office@DistinctiveOS.com

Drawing Title:  
**NUNEZ\_3D.DWG**

Job Name:	Project Number:
Drawn By: KEN	Date Created: 03/27/2023
Checked By:	Scale: Custom

Sheet Number:  
1 of 1

Sheet Name:  
**SETBACK LINES**



**REVIEWED**  
By Kenneth M. Justice, P.E. at 1:43 pm, Mar 31, 2023

NOTE: SITE PLAN PREPARED BY OTHERS  
AND MODIFIED FOR THIS SUBMITTAL TO  
SHOW LOCATION OF STRUXURE



**STRUXURE**

**Distinctive Outdoor Structures**  
BE UNIQUE. BE DISTINCTIVE

**DOS**

NUNEZ RESIDENCE  
2009 WOODLAND DRIVE  
MORRISVILLE, PA 19067

\*\*\* COPYRIGHT \*\*\*

THIS DRAWING IS THE SOLE PROPERTY OF  
DISTINCTIVE OUTDOOR STRUCTURES, LLC  
AND IS NOT TO BE DUPLICATED OR COPIED  
IN WHOLE OR IN ANY PART THEREOF.

ITS USE IS LIMITED TO THE  
PROJECT IT REPRESENTS.

OTHER USE IS STRICTLY PROHIBITED.

REV. No.	REVISION ISSUE	REV. DATE

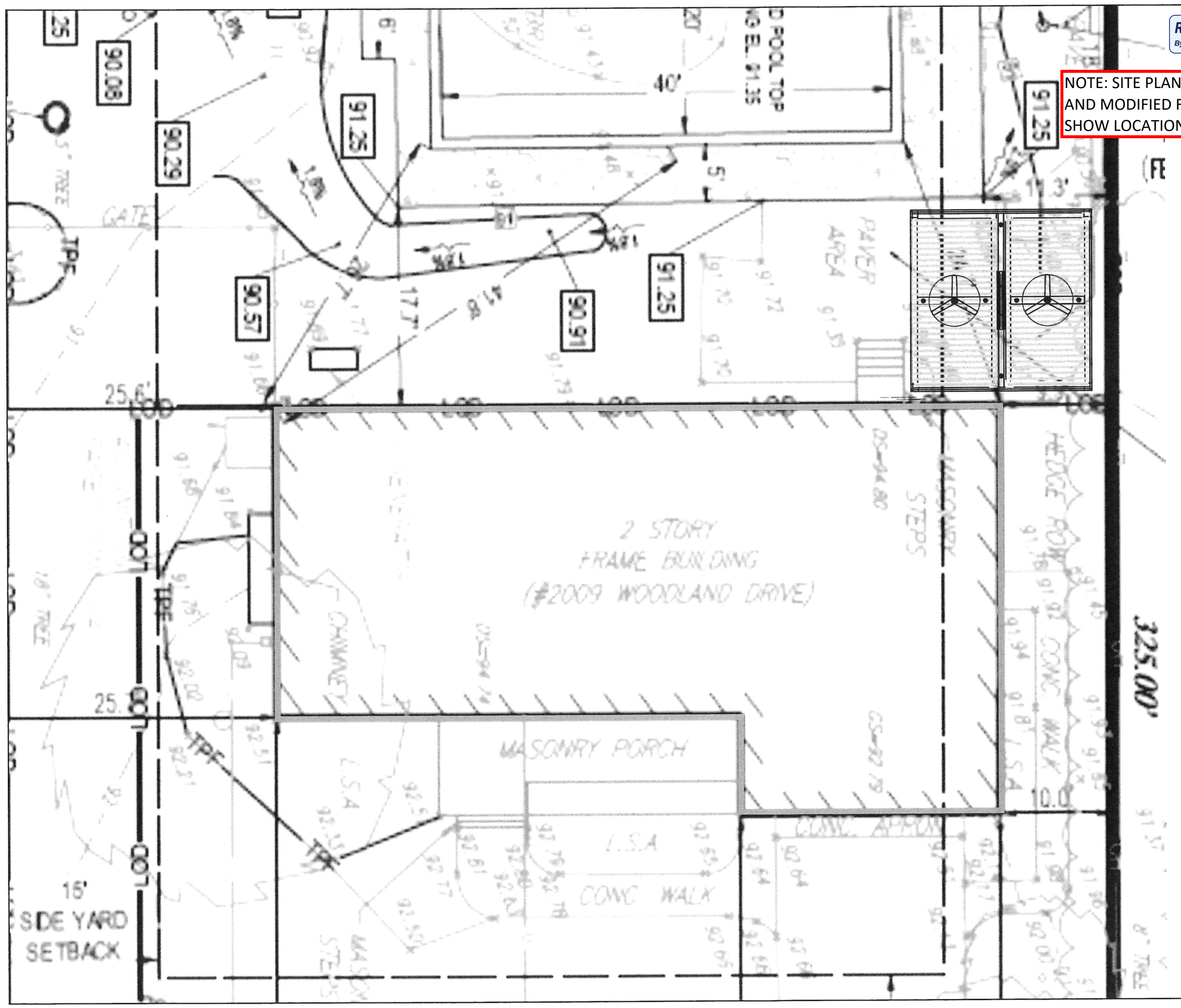
FIRM NAME & ADDRESS:  
DISTINCTIVE OUTDOOR  
STRUCTURES  
619 Bethlehem Pike  
Montgomeryville, PA 18936

Telephone: (215) 699-5754  
E-mail: Office@DistinctiveOS.com

Drawing Title:  
NUNEZ\_3D.DWG

Job Name:	Project Number:
Drawn By: KEN	Date Created: 03/27/2023
Checked By:	Scale: 1:100
Sheet Number: 1	of 12
Sheet Name: A 100 - LOCATION PLAN	

- INDEX:
- A100 - Location Plan
  - A101 - Plan View - Overall
  - A102 - Plan View - Beams
  - A103 - Plan View - Accessories
  - A104 - Front & Left Elevations
  - A105 - Details 1
  - A106 - Details 2
  - A107 - Details 3
  - A108 - Presentation 1
  - A109 - Presentation 2
  - A110 - Presentation 3
  - A111 - Presentation 4





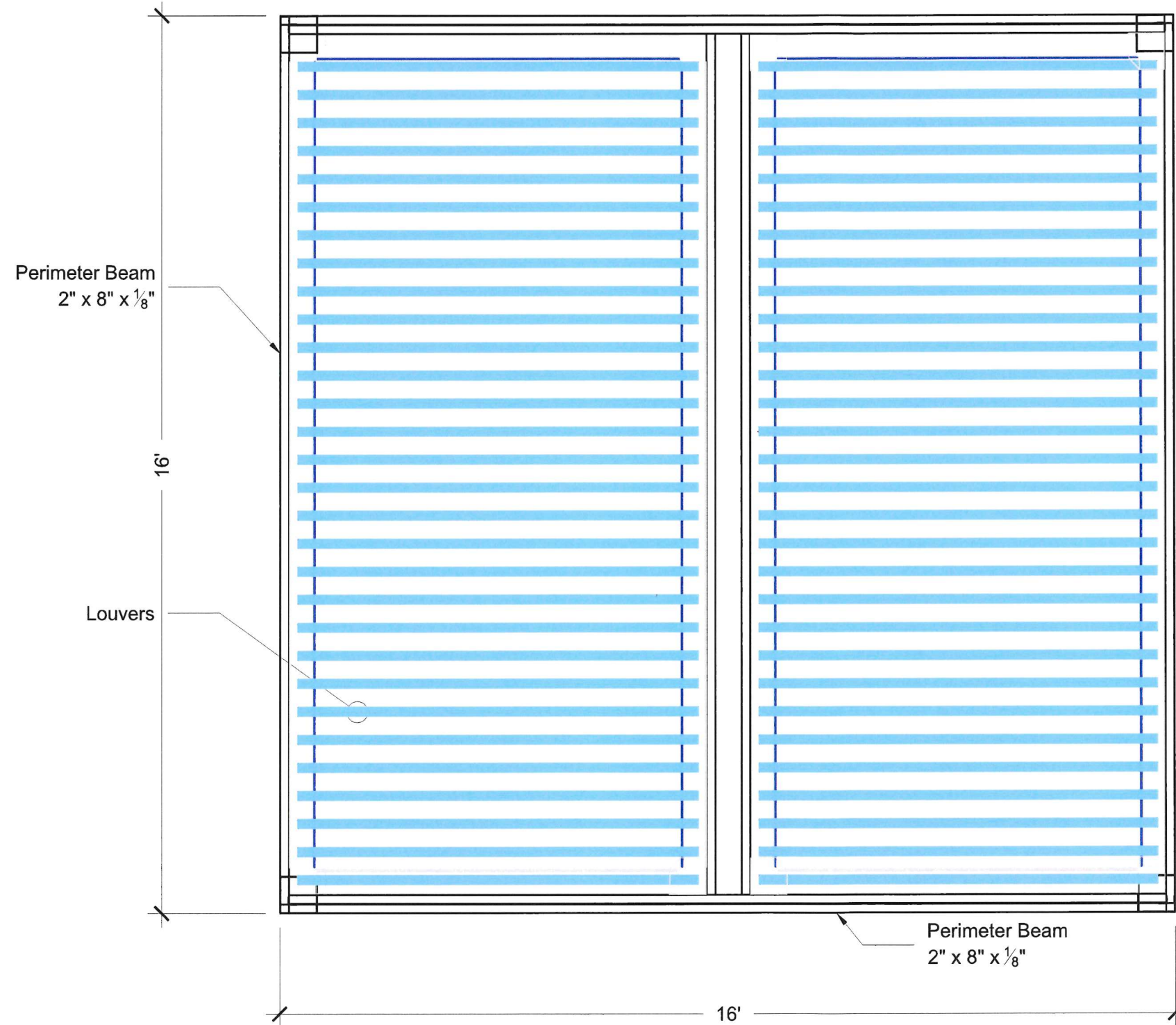
# BUILDING PLAN FOR STRUXURE LOUVERED ROOF SYSTEM

**REVIEWED**

By Kenneth M. Justice, P.E. at 1:43 pm, Mar 31, 2023

**NOTE:**

1. PLANS PER 2018 IBC AS APPLICABLE
2. DESIGN LOADS MEET THE FOLLOWING:
  - a. ROOF LIVE LOAD = 25 PSF
  - b. ROOF DEAD LOAD = 10 PSF
  - c. SNOW LOAD = 30 PSF
  - d. WIND LOAD = 40 PSF
    - 125 MPH - 3 SEC GUSTS



**STRUXURE**

**Distinctive Outdoor Structures**  
BE UNIQUE. BE DISTINCTIVE

**DOS**

NUNEZ RESIDENCE  
2009 WOODLAND DRIVE  
MORRISVILLE, PA 19067

\*\*\* COPYRIGHT \*\*\*

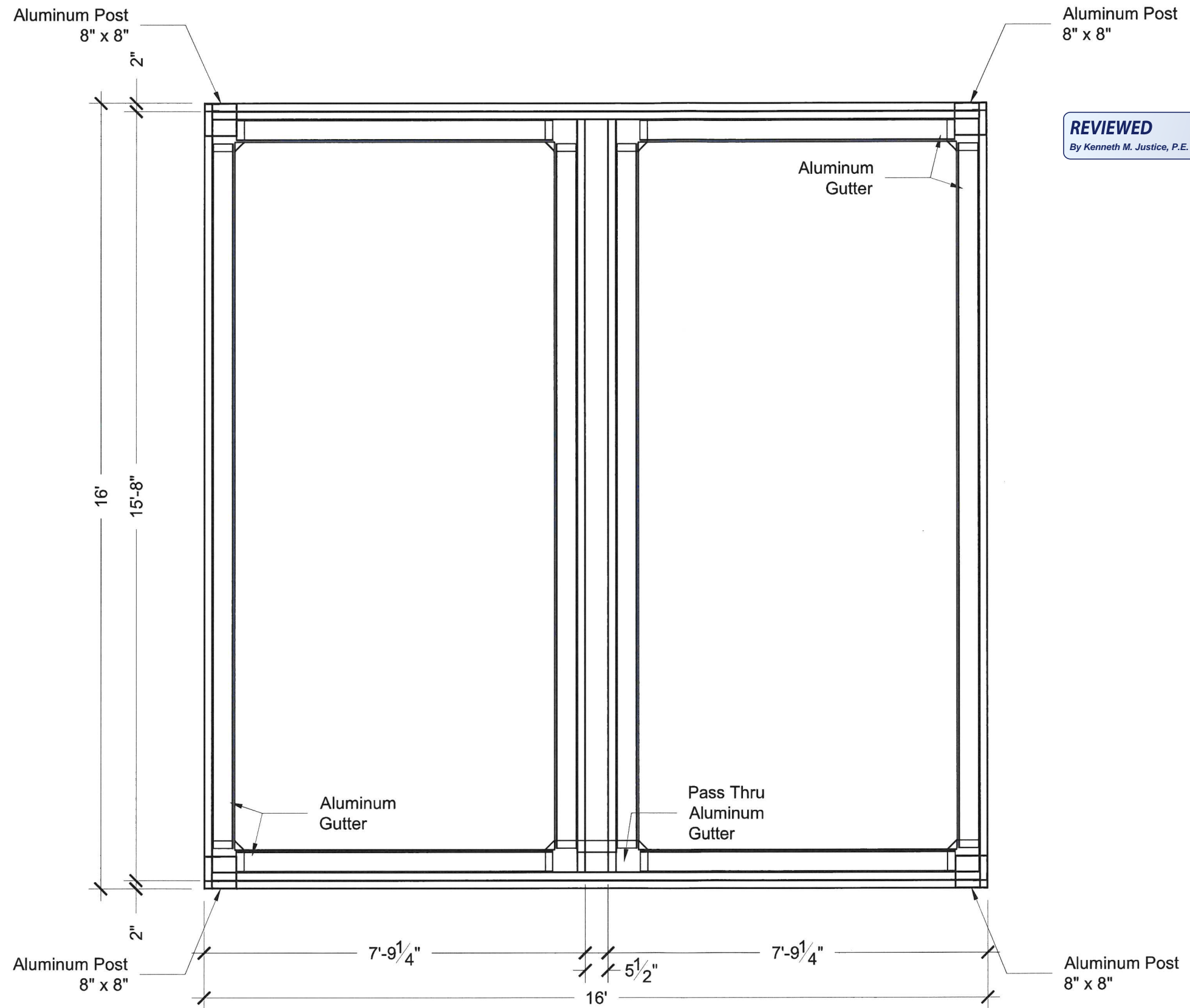
THIS DRAWING IS THE SOLE PROPERTY OF DISTINCTIVE OUTDOOR STRUCTURES, LLC AND IS NOT TO BE DUPLICATED OR COPIED IN WHOLE OR IN ANY PART THEREOF. ITS USE IS LIMITED TO THE PROJECT IT REPRESENTS. OTHER USE IS STRICTLY PROHIBITED.

REV. No.	REVISION ISSUE	REV. DATE

FIRM NAME & ADDRESS:  
DISTINCTIVE OUTDOOR STRUCTURES  
619 Bethlehem Pike  
Montgomeryville, PA 18936  
Telephone: (215) 699-5754  
E-mail: Office@DistinctiveOS.com

Drawing Title:  
NUNEZ\_ 3D.DWG

Job Name:	Project Number:
Drawn By: KEN	Date Created: 03/27/2023
Checked By:	Scale: 1/2" = 1'-0"
Sheet Number: 2	of 12
Sheet Name: A 101	



**REVIEWED**  
By Kenneth M. Justice, P.E. at 1:43 pm, Mar 31, 2023



**Distinctive Outdoor Structures**  
BE UNIQUE. BE DISTINCTIVE

**DOS**

NUNEZ RESIDENCE  
2009 WOODLAND DRIVE  
MORRISVILLE, PA 19067

\*\*\* COPYRIGHT \*\*\*  
THIS DRAWING IS THE SOLE PROPERTY OF DISTINCTIVE OUTDOOR STRUCTURES, LLC AND IS NOT TO BE DUPLICATED OR COPIED IN WHOLE OR IN ANY PART THEREOF.  
ITS USE IS LIMITED TO THE PROJECT IT REPRESENTS.  
OTHER USE IS STRICTLY PROHIBITED.

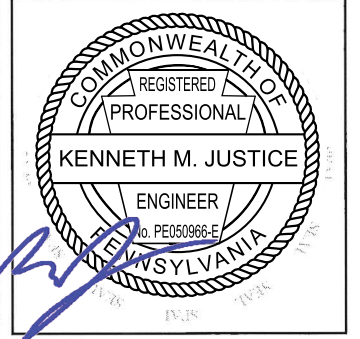
REV. No.	REVISION ISSUE	REV. DATE

FIRM NAME & ADDRESS:  
DISTINCTIVE OUTDOOR STRUCTURES  
619 Bethlehem Pike  
Morrisville, PA 18936  
Telephone: (215) 699-5754  
E-mail: Office@DistinctiveOS.com

Drawing Title:  
NUNEZ\_3D.DWG

Job Name:	Project Number:
Drawn By: KEN	Date Created: 03/27/2023
Checked By:	Scale: 1/2" = 1'-0"
Sheet Number: 3	of 12
Sheet Name: A 102	

**REVIEWED**  
By Kenneth M. Justice, P.E. at 1:43 pm, Mar 31, 2023



**STRUXURE**

**Distinctive Outdoor Structures**  
BE UNIQUE. BE DISTINCTIVE

**DOS**

NUNEZ RESIDENCE  
2009 WOODLAND DRIVE  
MORRISVILLE, PA 19067

\*\*\* COPYRIGHT \*\*\*

THIS DRAWING IS THE SOLE PROPERTY OF DISTINCTIVE OUTDOOR STRUCTURES, LLC AND IS NOT TO BE DUPLICATED OR COPIED IN WHOLE OR IN ANY PART THEREOF.

ITS USE IS LIMITED TO THE PROJECT IT REPRESENTS.

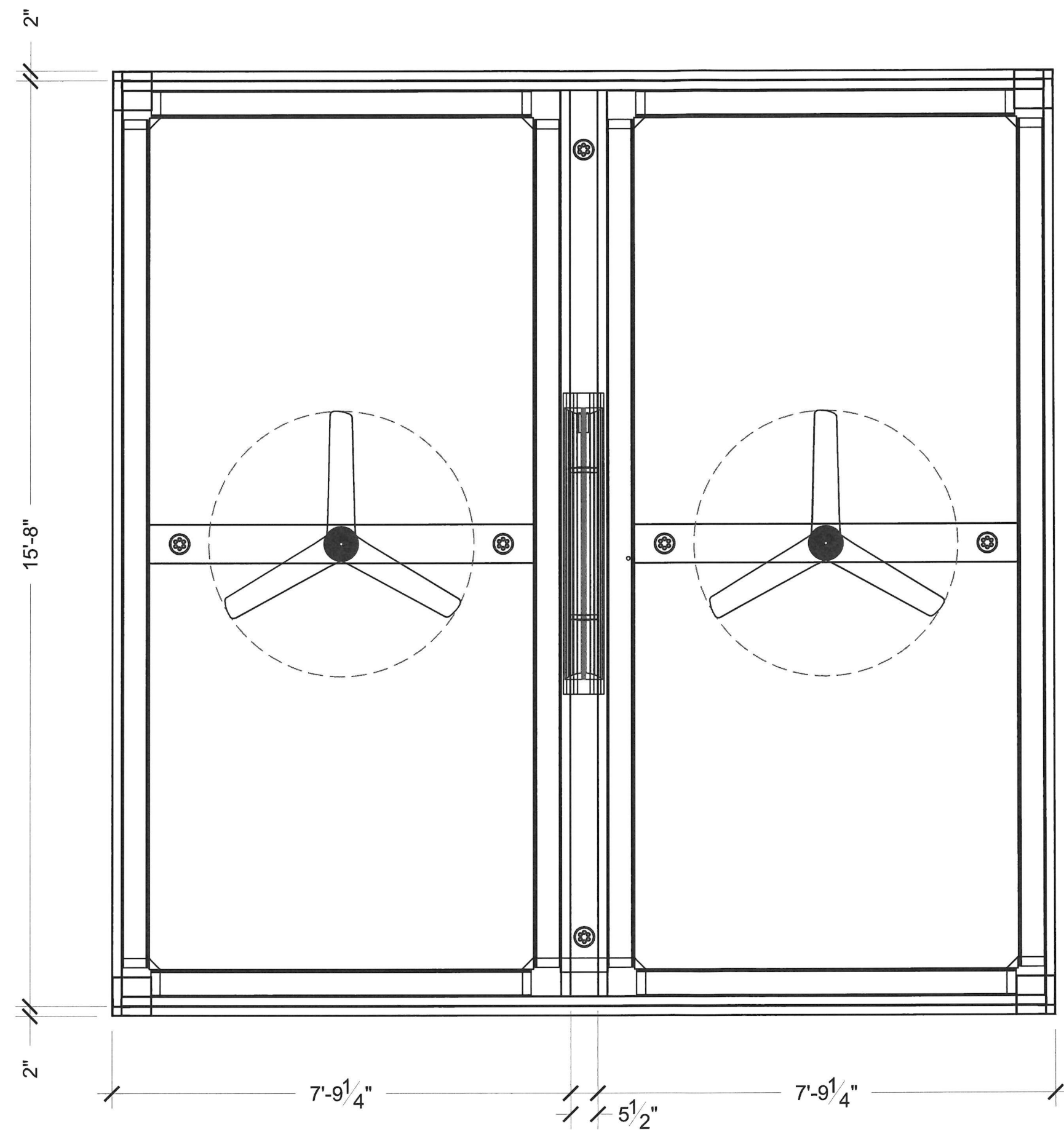
OTHER USE IS STRICTLY PROHIBITED.

REV. No.	REVISION ISSUE	REV. DATE

FIRM NAME & ADDRESS:  
DISTINCTIVE OUTDOOR STRUCTURES  
619 Bethlehem Pike  
Montgomeryville, PA 18936  
Telephone: (215) 699-5754  
E-mail: Office@DistinctiveOS.com

Drawing Title:  
NUNEZ\_3D.DWG

Job Name:	Project Number:
Drawn By: KEN	Date Created: 03/27/2023
Checked By:	Scale: 1/2" = 1'-0"
Sheet Number: 4	of 12
Sheet Name: A 103	





**REVIEWED**  
By Kenneth M. Justice, P.E. at 1:43 pm, Mar 31, 2023



**STRUXURE**

**Distinctive Outdoor Structures**  
BE UNIQUE. BE DISTINCTIVE

**DOS**

NUNEZ RESIDENCE  
2009 WOODLAND DRIVE  
MORRISVILLE, PA 19067

\*\*\* COPYRIGHT \*\*\*

THIS DRAWING IS THE SOLE PROPERTY OF DISTINCTIVE OUTDOOR STRUCTURES, LLC AND IS NOT TO BE DUPLICATED OR COPIED IN WHOLE OR IN ANY PART THEREOF.

ITS USE IS LIMITED TO THE PROJECT IT REPRESENTS.

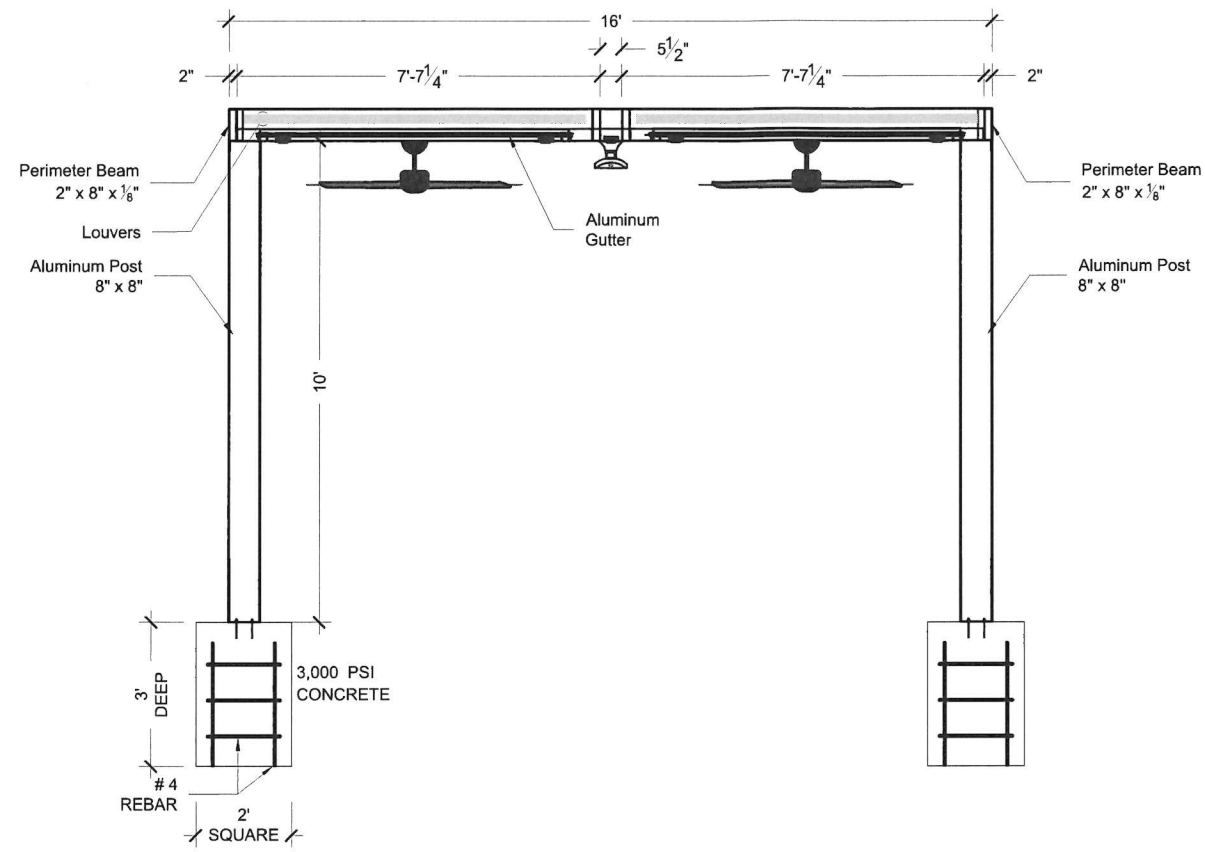
OTHER USE IS STRICTLY PROHIBITED.

REV. No.	REVISION ISSUE	REV. DATE

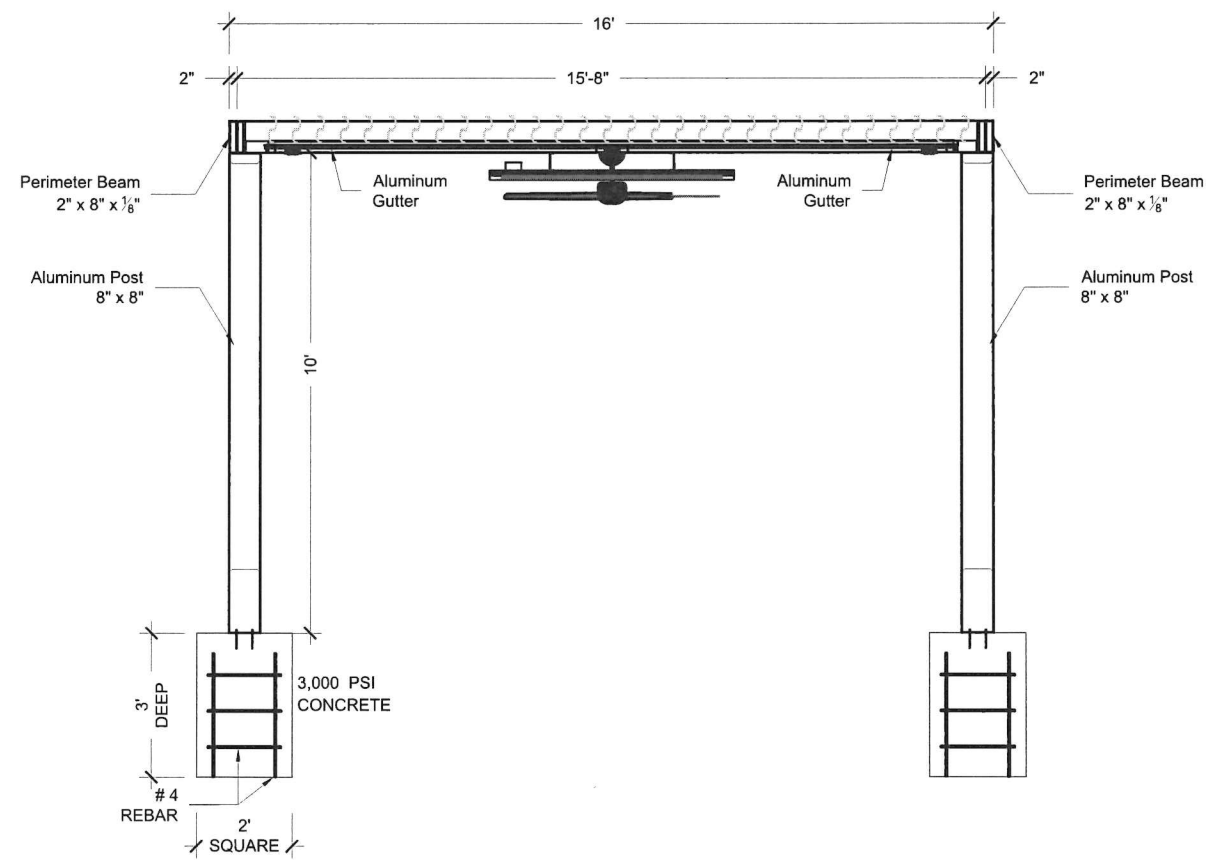
FIRM NAME & ADDRESS:  
DISTINCTIVE OUTDOOR STRUCTURES  
619 Bethlehem Pike  
Montgomeryville, PA 18936  
Telephone: (215) 699-5754  
E-mail: Office@DistinctiveOS.com

Drawing Title:  
NUNEZ\_3D.DWG

Job Name:	Project Number:
Drawn By: KEN	Date Created: 03/27/2023
Checked By:	Scale: AS NOTED
Sheet Number: 5	of 12
Sheet Name: A 104	



**FRONT ELEVATION**  
A104 SCALE: 1/4" = 1'-0"



**LEFT ELEVATION**  
A104 SCALE: 1/4" = 1'-0"

**REVIEWED**  
By Kenneth M. Justice, P.E. at 1:43 pm, Mar 31, 2023



**STRUXURE**

**Distinctive Outdoor Structures**  
BE UNIQUE. BE DISTINCTIVE

**DOS**

**NUNEZ RESIDENCE**  
2009 WOODLAND DRIVE  
MORRISVILLE, PA 19067

\*\*\* COPYRIGHT \*\*\*

THIS DRAWING IS THE SOLE PROPERTY OF DISTINCTIVE OUTDOOR STRUCTURES, LLC AND IS NOT TO BE DUPLICATED OR COPIED IN WHOLE OR IN ANY PART THEREOF.

ITS USE IS LIMITED TO THE PROJECT IT REPRESENTS.

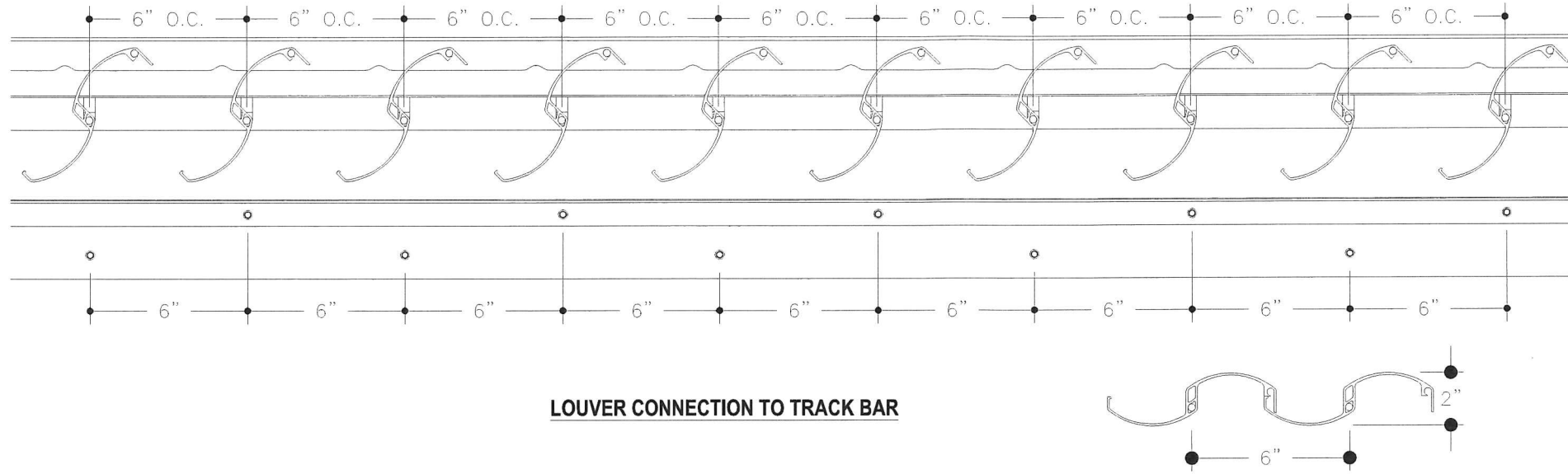
OTHER USE IS STRICTLY PROHIBITED.

REV. No.	REVISION ISSUE	REV. DATE

FIRM NAME & ADDRESS:  
**DISTINCTIVE OUTDOOR STRUCTURES**  
619 Bethlehem Pike  
Montgomeryville, PA 18936  
Telephone: (215) 699-5754  
E-mail: Office@DistinctiveOS.com

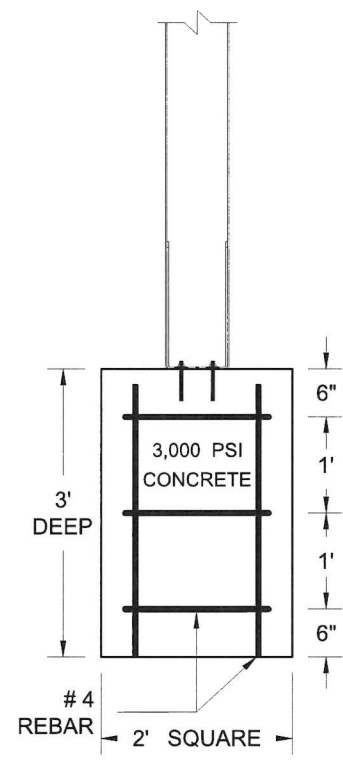
Drawing Title:  
NUNEZ\_3D.DWG

Job Name:	Project Number:
Drawn By: KEN	Date Created: 03/27/2023
Checked By:	Scale: AS NOTED
Sheet Number: 6	of 12
Sheet Name: A 105	



**LOUVER CONNECTION TO TRACK BAR**

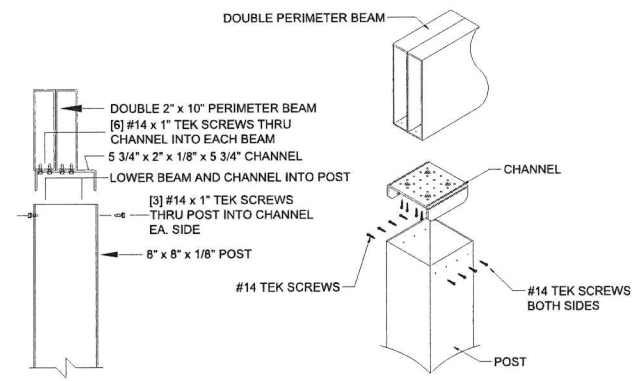
DETAIL  
SCALE: 2" = 1'-0"



**8" x 8" POST SHOE TO FOOTING CONNECTION**

**ALL REBAR TO HAVE A MINIMUM 2" COVER FROM EDGE OF CONCRETE**

**APPROVED AS NOTED**  
By Kenneth M. Justice P.E.



**DOUBLE BEAM TO 8" x 8" POST CONNECTION**

DETAILS  
SCALE: 1/2" = 1'-0"

**REVIEWED**  
By Kenneth M. Justice, P.E. at 1:43 pm, Mar 31, 2023



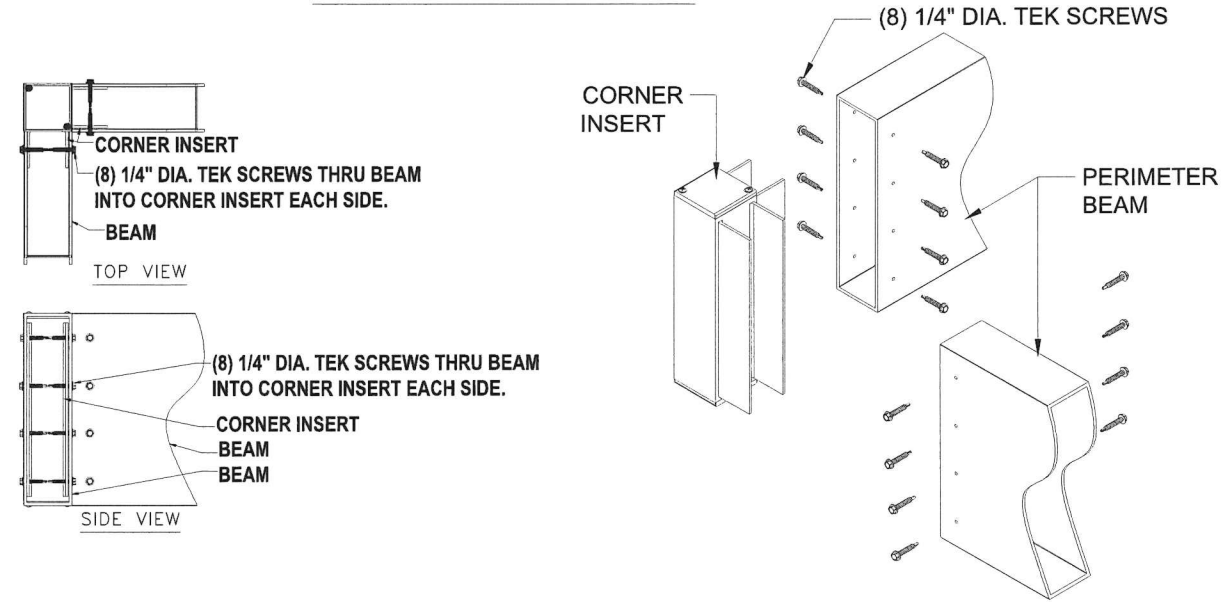
**STRUXURE**

**Distinctive Outdoor Structures**  
BE UNIQUE. BE DISTINCTIVE

**DOS**

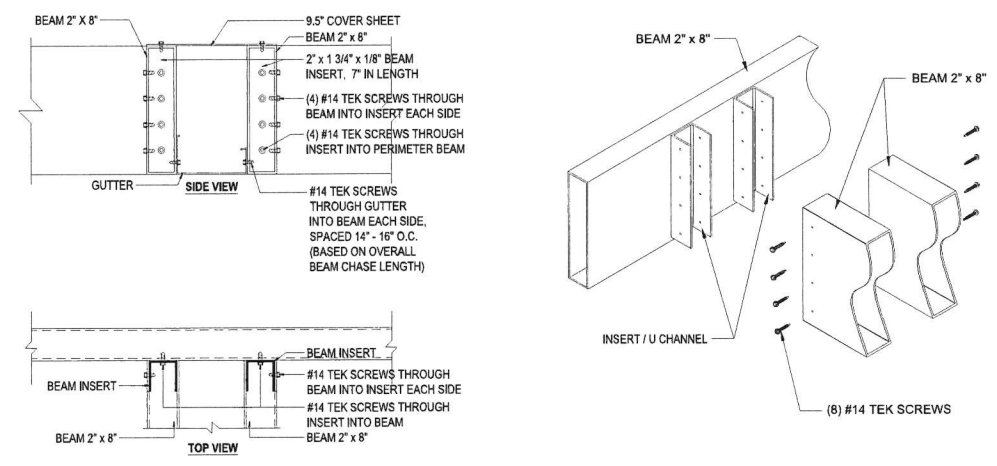
NUNEZ RESIDENCE  
2009 WOODLAND DRIVE  
MORRISVILLE, PA 19067

**TYPICAL CORNER ASSEMBLY**



**DETAIL**  
SCALE: 1-1/2" = 1'-0"

**TYPICAL BEAM CHASE**

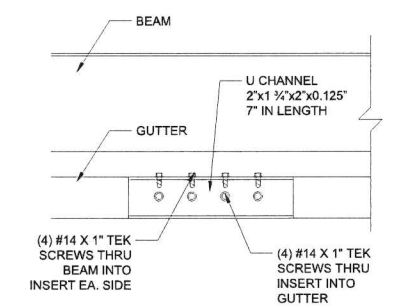
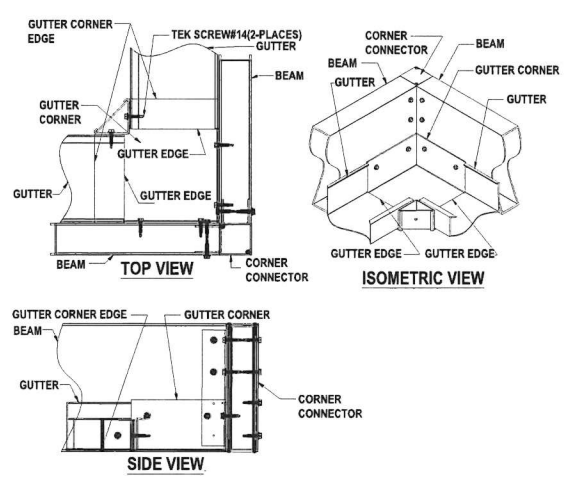


\*\*\* COPYRIGHT \*\*\*  
THIS DRAWING IS THE SOLE PROPERTY OF DISTINCTIVE OUTDOOR STRUCTURES, LLC AND IS NOT TO BE DUPLICATED OR COPIED IN WHOLE OR IN ANY PART THEREOF.  
ITS USE IS LIMITED TO THE PROJECT IT REPRESENTS.  
OTHER USE IS STRICTLY PROHIBITED.

REV. No.	REVISION ISSUE	REV. DATE

FIRM NAME & ADDRESS:  
**DISTINCTIVE OUTDOOR STRUCTURES**  
619 Bethlehem Pike  
Montgomeryville, PA 18936  
Telephone: (215) 699-5754  
E-mail: Office@DistinctiveOS.com

**GUTTER ASSEMBLY**



**FAN BEAM CONNECTION**

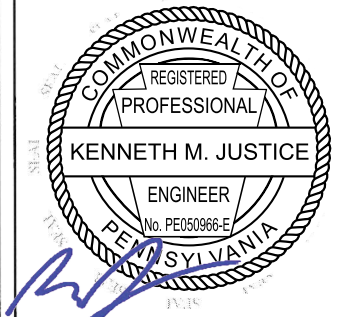
**DETAILS**  
SCALE: 1" = 1'-0"

Drawing Title:  
NUNEZ\_3D.DWG

Job Name:	Project Number:
Drawn By: KEN	Date Created: 03/27/2023
Checked By:	Scale: AS NOTED
Sheet Number: 7	of 12
Sheet Name:	A 106



**REVIEWED**  
By Kenneth M. Justice, P.E. at 1:43 pm, Mar 31, 2023



**STRUXURE**

**Distinctive Outdoor Structures**  
BE UNIQUE. BE DISTINCTIVE

**DOS**

NUNEZ RESIDENCE  
2009 WOODLAND DRIVE  
MORRISVILLE, PA 19067

\*\*\* COPYRIGHT \*\*\*

THIS DRAWING IS THE SOLE PROPERTY OF DISTINCTIVE OUTDOOR STRUCTURES, LLC AND IS NOT TO BE DUPLICATED OR COPIED IN WHOLE OR IN ANY PART THEREOF.

ITS USE IS LIMITED TO THE PROJECT IT REPRESENTS.

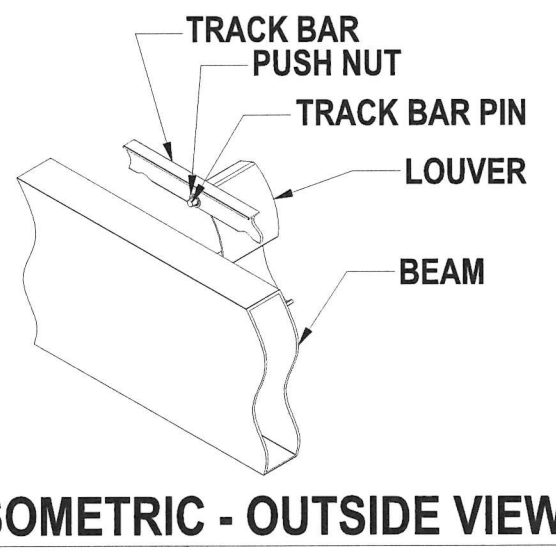
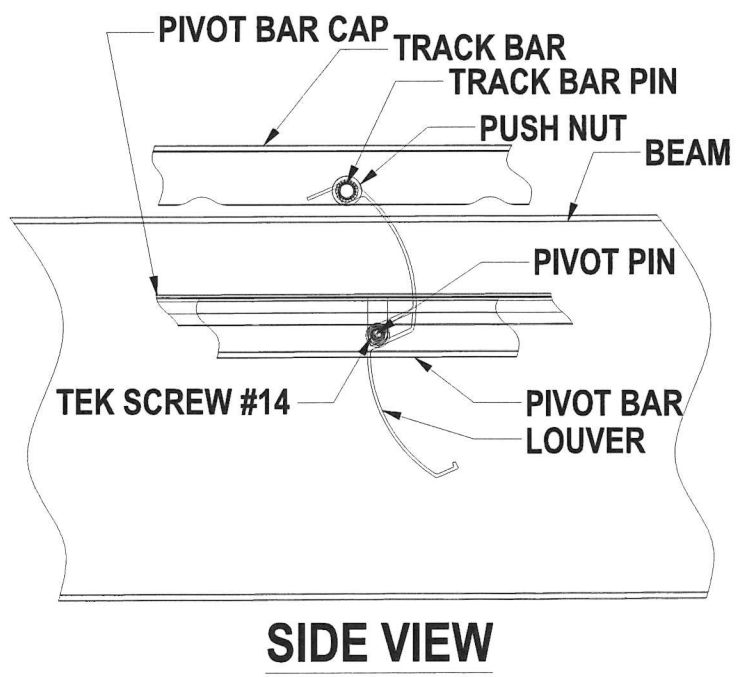
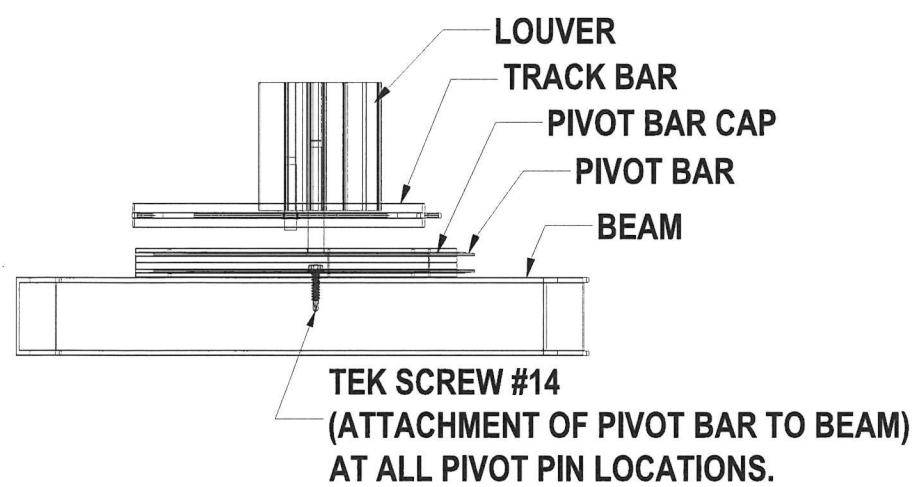
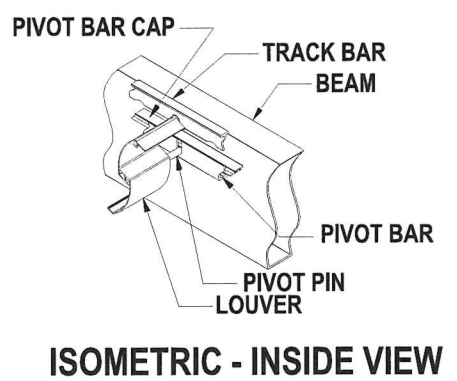
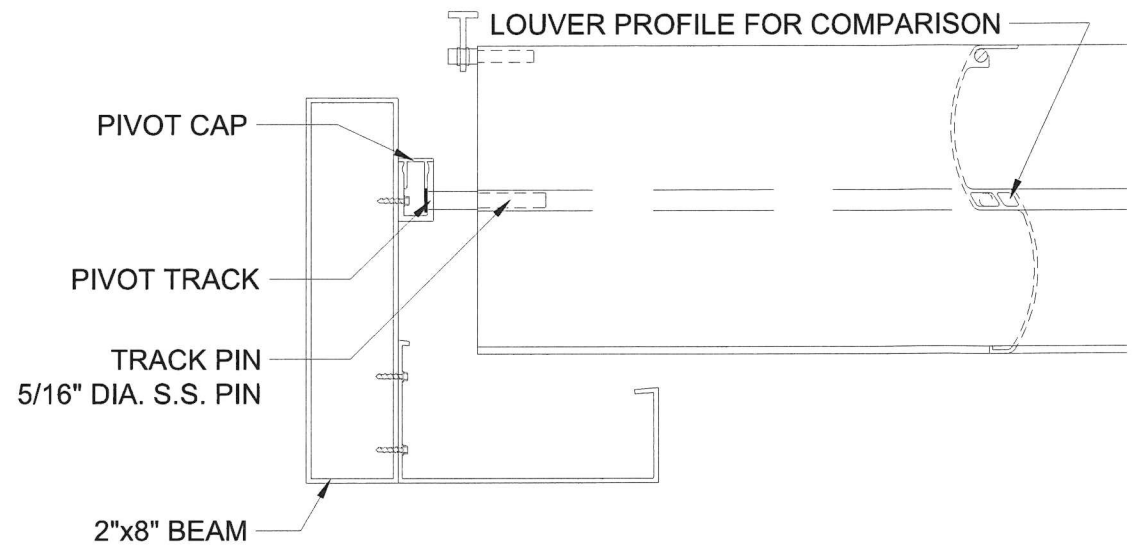
OTHER USE IS STRICTLY PROHIBITED.

REV. No.	REVISION ISSUE	REV. DATE

FIRM NAME & ADDRESS:  
DISTINCTIVE OUTDOOR STRUCTURES  
619 Bethlehem Pike  
Montgomeryville, PA 18936  
Telephone: (215) 699-5754  
E-mail: Office@DistinctiveOS.com

Drawing Title:  
NUNEZ\_3D.DWG

Job Name:	Project Number:
Drawn By: KEN	Date Created: 03/27/2023
Checked By:	Scale: AS NOTED
Sheet Number: 8	of 12
Sheet Name:	A 107



DETAILS  
SCALE: 3" = 1'-0"